


# Sundance® Spas 680 Peyton®

## Specifications

<p><b>Dimensions:</b>.....84" x 84" x 36" (213 cm x 213 cm x 91 cm)</p> <p><b>Perimeter</b>.....336" (853.4 cm)</p> <p><b>Seating Capacity:</b>.....6 Adults</p> <p><b>Dry Weight:</b>.....736 lbs (334 kg)</p> <p><b>Filled Weight (Spa Volume):</b>.....4,364 lbs (1,979 kg)</p> <p><b>Filled Weight (Average Fill):</b>.....3,447 lbs (1,563 kg)</p> <p><b>Water Capacity (Spa Volume):</b>.....435 US Gal (1,647 Liters)</p> <p><b>Water Capacity (Average Fill):</b>.....325 US Gal (1,230 Liters)</p> <p><b>Controls:</b>.....Solid-State Electronic Controls with LCD Readout, Programmable Water Temperature, Filtration, and Heat Cycles</p> <p><b>Water Delivery:</b>.....2 High-Flow Pump</p> <p><b>Pump 1:</b>.....North America (60 Hz): 2-Speed/2.5 HP Continuous, 11.0A Max., 56 Frame <b>Export (50 Hz): 2-Speed/2.0 HP continuous, 8.0A max.</b></p> <p><b>Pump 2:</b>.....North America (60 Hz): 1-Speed/2.5 HP Continuous, 10A max., 56 Frame <b>Export (50 Hz): 1-Speed/2.0 HP continuous, 8.0A max.</b></p> <p><b>Total Hydrojets:</b>.....<b>34</b></p> <p><b>Seat A Jets:</b>.....4 - SLR, 2 - SL5R</p> <p><b>Seat B Jets:</b>.....2 - SLR</p> <p><b>Seat C Jets:</b>.....2 - SLR, 2 - SL, 8 - SL3</p> <p><b>Seat D Jets:</b>.....1 - SLR</p> <p><b>Seat E Jets:</b>.....2 - SLR, 8 - SL, 1 - SL3</p> <p><b>Foot Well Jets (F):</b>.....2 - SL3</p> <p><b>Air Controls/Massage Selectors:</b>...2/None</p> <p><b>Filter:</b>.....75 ft<sup>2</sup> MicroClean® Mini™ Filter Cartridge System</p> <p><b>Water Treatment:</b>.....Factory installed CLEARRAY® unit</p> <p><b>Lighting:</b>.....LED Lighting System (Interior Surround); 2 Standard Exterior Lights</p> <p><b>Cabinet:</b>.....Available in Slate, Graphite</p> <p><b>Shell Colors:</b>.....North America: Platinum, Celestite, Monaco, Midnight, Porcelain <b>Export (50 Hz): All North America colors</b></p> <p><b>Headrest:</b>.....Three, 1-piece gray</p> <p><b>Heater:</b>.....North America (60 Hz): 5.5 kW 240V High Flow Standard <b>Export (50 Hz): 2.7 kW High Flow Standard</b></p> <p><b>Electrical Requirements:</b>.....North America (60 Hz): 240 VAC@40A, 50A or 60A <b>Export (50 Hz): 230-240 VAC@1x16A, 1x32A or 2 out of 3-phase (see manual); or Suitably Rated Circuit Breaker to Comply with Local Electrical Regulations. Certain Countries May Require 2 Power Inputs; Two GFCI/RCD Breakers are Required for This Configuration.</b></p> <p><b>Limited Warranty*:</b>.....North America (60 Hz): 5 Years Shell, 3 Years Shell Surface, 3 Years Plumbing Component Leaks, 3 Years Equipment and Controls, 1 Year Cabinet, 1 Year Jets <b>Export (50 Hz): 5 Years Shell, 3 Years Shell Surface, 3 Years Plumbing Component Leaks, 3 Years Equipment and Controls, 1 Year Cabinet, 1 Year Jets</b></p> <p><b>Alternative Insulation (Standard):</b>..Yes (Insulation Panels)</p> <p><b>Waterfall Feature:</b>.....None</p> <p><b>Audio System (Optional):</b>.....N/A</p> <p><b>Special Features (Optional):</b>.....Factory Installed SmartTub® module</p>	
--	---

\*(See Warranty Document for Specific Details)

Dimensions/Specifications Subject To Change Without Notice

# Sundance Spas 680 Peyton

## Operation/Seat Depths



**(A)** Air Control - Activates Seat A Jets (4 - SLR, 2 - SL5R) + Seat B Jets (2 - SLR) + Seat E Jets (2 - SLR, 8 - SL, 1 - SL3) + Footwell Jets (2 - SL3)

**(B)** Air Control - Activates Seat C Jets (2 - SLR, 2 - SL, 8 - SL3) + Seat D Jet (1 - SLR)

- Jets Pump 1: Powers Seat A Jets + Seat B Jets + Seat E Jets + Footwell Jets when running

- Jets Pump 2: Seat C Jets + Seat D Jets when running

### 34 Total Jets



SL Jets (10)



SLR Jets (4)



SL3 Jets (11)



SL3R Jets (7)



SL5R Jets (2)

Spa Operation Subject To Change Without Notice

## SEAT DEPTHS

**A = 26.63" (67.63 cm)**

**B = 22.50" (57.15 cm)**

**C = 25.00" (63.50 cm)**

**D = 22.00" (55.88 cm)**

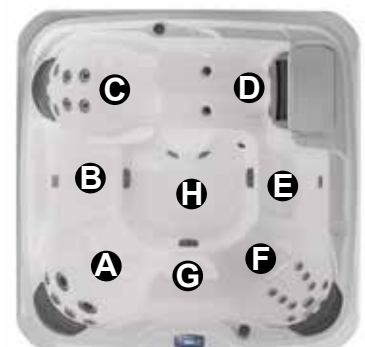
**E = 22.50" (57.15 cm)**

**F = 26.88" (69.85 cm)**

**G = 19.75" (50.16 cm)**

**H = 30.00" (76.20 cm)**

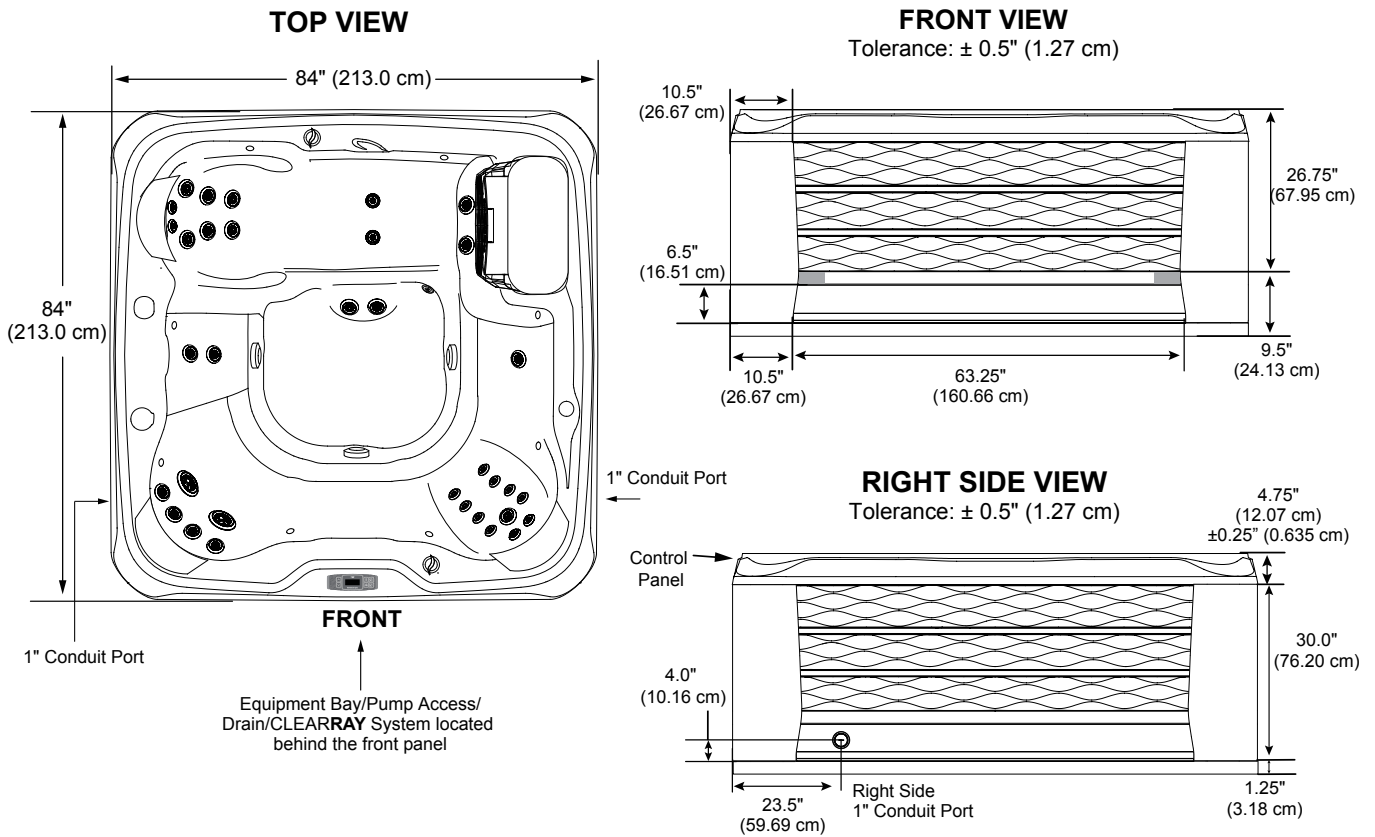
Listed dimensions represent distance from top of acrylic to lowest point in seat. Tolerance  $\pm 0.5"$  (1.27 cm).



Dimensions/Specifications Subject To Change Without Notice

# Sundance Spas 680 Peyton

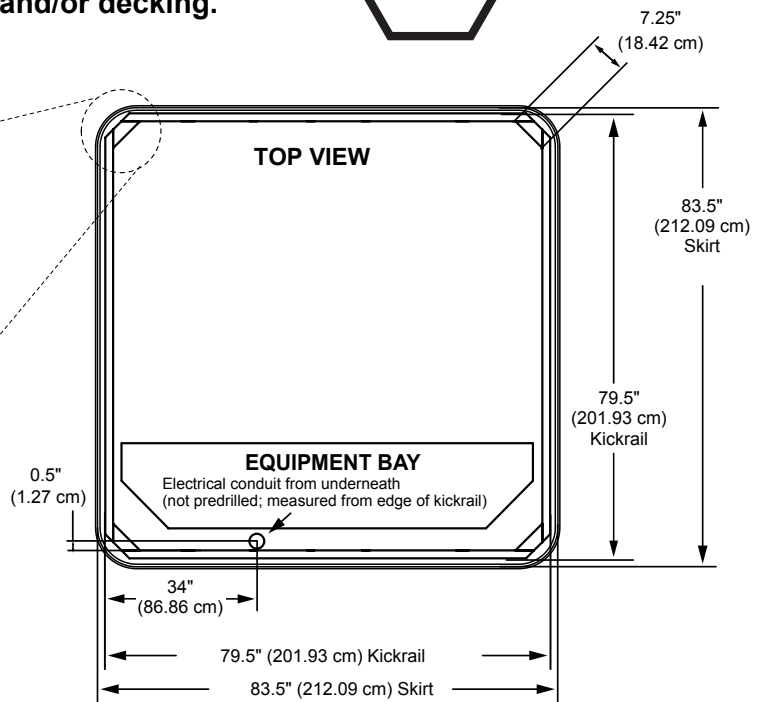
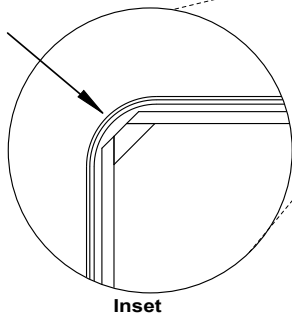
## Portable Dimensions



**IMPORTANT! Always measure each hot tub for exact dimensions BEFORE designing its foundational support and/or decking.**



4 x  $\approx R 10.0"$   
 ( $\approx R25.4$  cm) Skirt



Dimensions/specifications subject to change without notice. Tolerance:  $\pm 0.5"$  (1.27 cm)

Dimensions/Specifications Subject To Change Without Notice