


Sundance® Spas 680 Alicia™

Specifications

<p>Dimensions80" x 69" x 33" (203 cm x 175 cm x 84 cm)</p> <p>Seating Capacity.....2-3 Adults</p> <p>Dry Weight.....TBD lbs (TBD kg)</p> <p>Filled Weight (Spa Volume)TBD lbs (TBD kg)</p> <p>Filled Weight (Average Fill).....TBD lbs (TBD kg)</p> <p>Water Capacity (Spa Volume)TBD US gallons (TBD Liters)</p> <p>Water Capacity (Average Fill)TBD US gallons (TBD Liters)</p> <p>Electronic ControlsSolid state electronic controls with LCD readout, programmable temperature, filtration, and heat cycles</p> <p>Pump 1.....North America (60 Hz): 2-Speed, 2.5 HP brake, 1.5 HP continuous, 48 Frame Export: (50 Hz): 2-Speed, 2.0 HP continuous</p> <p>Total Hydrojets:21</p> <p>Seat A Jets:.....6 - SLR</p> <p>Seat B Jets:.....1 - SLR, 8 - SL</p> <p>Seat C Jets:.....4 - SL3R</p> <p>Footwell (D) Jets:2 - SLR</p> <p>Air Controls/Massage Selectors: ... 1/None</p> <p>Filter:75 ft² MicroClean® Mini™ Filter Cartridge System</p> <p>Water Treatment:.....Factory installed CLEARRAY® unit</p> <p>Lighting:.....LED Lighting System (Interior Surround); 2 Standard Exterior Lights</p> <p>Cabinet:.....Available in Slate, Graphite</p> <p>Shell Colors:Platinum, Celestite (Gypsum), Monaco, Midnight, Porcelain</p> <p>Headrest:.....Three, 1-piece gray</p> <p>Heater:.....North America (60 Hz): High Flow, 1 kW@120 VAC or Convertible to 4 kW@240 VAC; Export: (50 Hz): High Flow, 2.7 kW</p> <p>Electrical Requirements:.....North America Convertible Model (60 Hz): 120 VAC@15A with Supplied GFCI Cord or 240 VAC@30A or 40A (Hard Wired Only); Export (50 Hz): 230-240 VAC@1x16A, 1x32A or 2 out of 3-phase (see manual); or Suitably Rated Circuit Breaker to Comply with Local Electrical Regulations. Certain Countries May Require 2 Power Inputs; Two GFCI/ RCD Breakers are Required for This Configuration.</p> <p>Limited Warranty*:.....North America (60 Hz): 5 Years Shell, 3 Years Shell Surface, 3 Years Plumbing Component Leaks, 3 Years Equipment and Controls, 1 Year Cabinet, 1 Year Jets Export (50 Hz): 5 Years Shell, 3 Years Shell Surface, 3 Years Plumbing Component Leaks, 3 Years Equipment and Controls, 1 Year Cabinet, 1 Year Jets</p> <p>Alternative Insulation (Standard):..Yes (Insulation Panels)</p> <p>Waterfall Feature:None</p> <p>Audio System (Optional):N/A</p> <p>Special Features (Optional):Factory Installed SmartTub® module</p>	
--	---

*(See Warranty Document for Specific Details)

Dimensions/Specifications Subject To Change Without Notice

Sundance Spas 680 Alicia

Operation/Seat Depths



(A) Air control - Activates All Jets

- Jets Pump 1: Powers All Jets when running

21 Total Jets



SL Jets (8)



SLR Jets (9)



SL3R Jets (4)

Spa Operation Subject To Change Without Notice

SEAT DEPTHS

A = 25.86" (65.72 cm)

B = 27.00" (68.58 cm)

C = 24.25" (61.60 cm)

D = 27.75" (70.49 cm)

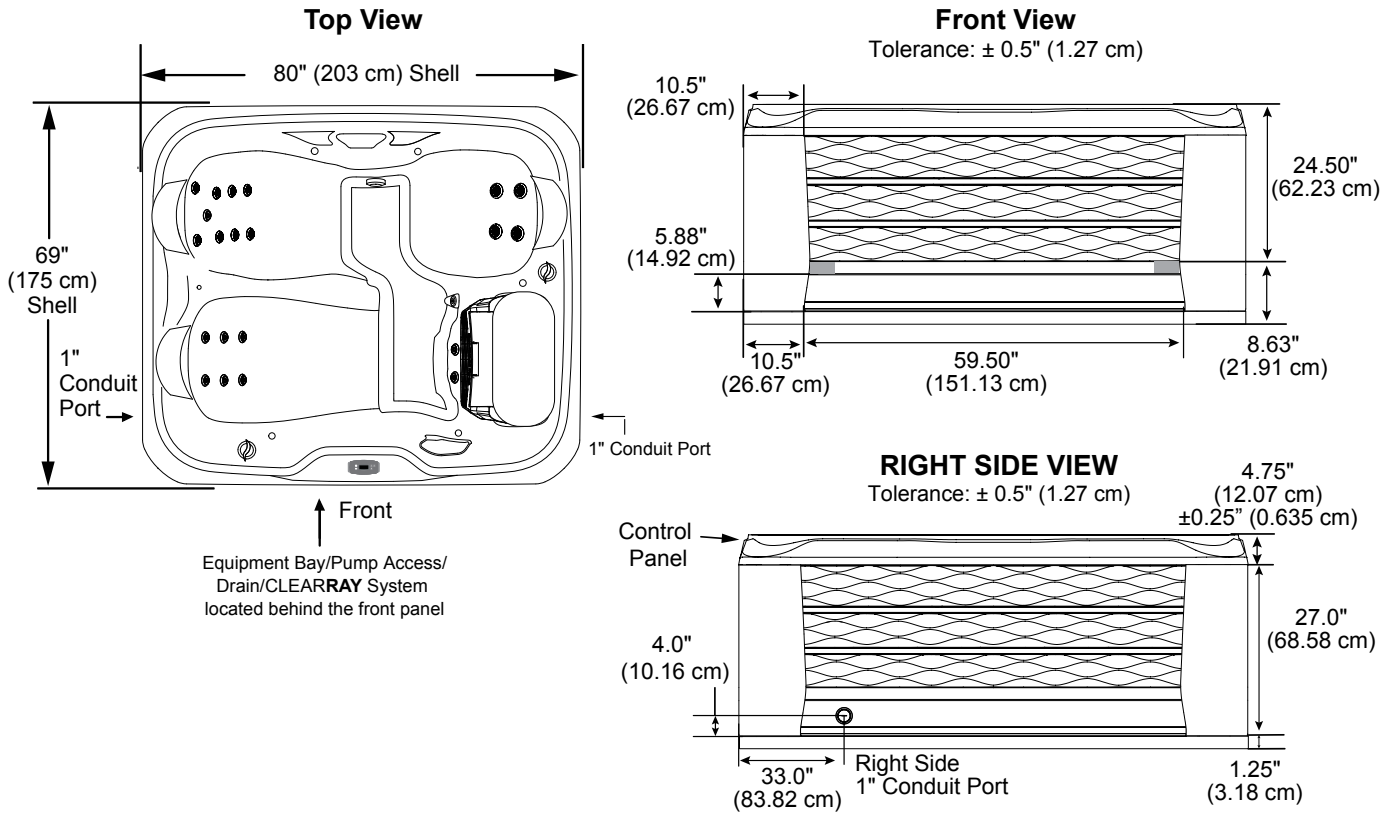
Listed dimensions represent distance from top of acrylic to lowest point in seat. Tolerance $\pm 0.5"$ (1.27 cm).



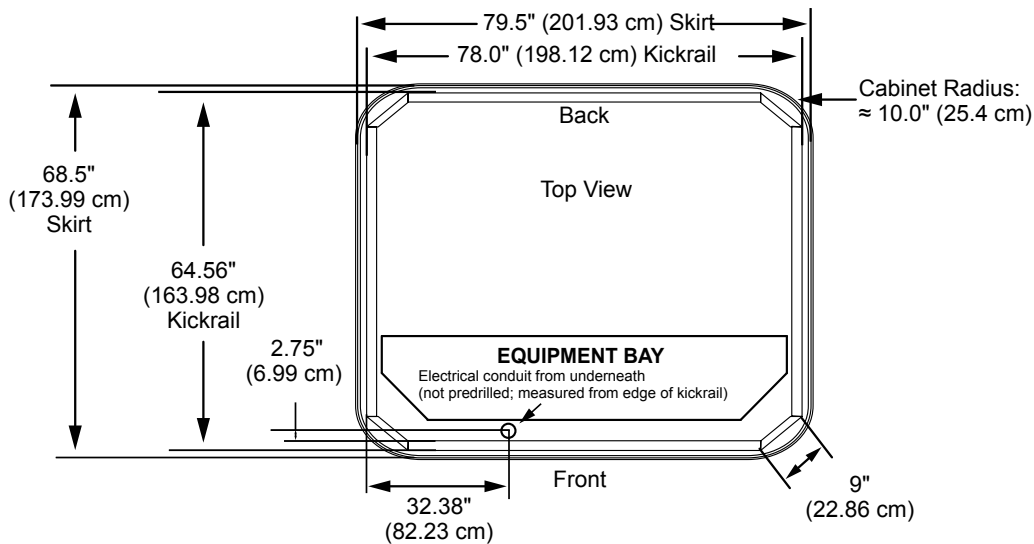
Dimensions/Specifications Subject To Change Without Notice

Sundance Spas 680 Alicia

Portable Dimensions



IMPORTANT! Always measure each hot tub for exact dimensions BEFORE designing its foundational support and/or decking.



Dimensions/specifications subject to change without notice. Tolerance: $\pm 0.5"$ (1.27 cm)

Dimensions/Specifications Subject To Change Without Notice